



# INDUSTRIAL VACUUMS

**FOR GENERAL PURPOSE  
DUST AND DEBRIS CONTROL  
WET AND DRY USE**



222-232

WEST  
VAC

## INDUSTRIAL VACUUM CLEANERS / DUST EXTRACTORS



222 LIFTOFF

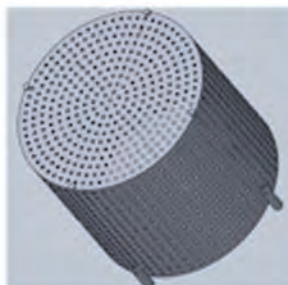


232 TROLLEY

Models	222	232
Motors - twin	Ametek LAMB	
Voltage	240V, 50 Hz	
Power/Amps	2 KW / 9.3 Amps	
Airflow (M3/h)	170	
Vacuum (mba)	320	
Filter Cleaning	Jet-Pulse (back-wash)	
Filter Type	HEPA, PTFE coated "Toray" polyester	
Filter Surface	32,000 CM2	
Filter Capacity	0.3um, min. 99.7%	
Capacity (L)	35	
Weight (kg)	32	45
Dimensions (mm)	550*540*980	595*480*1100

**The S2 Series features "jet-pulse" filter cleaning.**

- Steel construction, rugged, diffuses heat
- Detachable dust tank (model 232)
- HEPA, PTFE coated filter. Washable
- D70 - D40 (AU/NZL D38) tooling and accessories.
- Mobility: Transport and site friendly.
- 35L capacity allows longer run times.
- WEST filter: Google 'PTFE Polyester' or 'Toray'



**240V 15amp single phase 3-motors Industrial Vacuums**

S3 is equipped with three large, industrial-grade Ametek Lamb motors, providing over 600 m<sup>3</sup>/h and a vacuum 230mbar, a plenty of power to meet a wide range of requirements. There are virtually no impossible applications for S3, from the laboratory, workshop to cement industry.



S3 features one of the three filter cleanings: manual filter shaker, motor-driven filter vibration, and “jet-pulse” filter cleaning, providing customer the flexibility of picking up a most suitable filter cleaning for a specific application.

Comes with a complete floor tool kit, including 2-inch, 25 ft. hose, Aluminum “S” wand, and floor tools.

**Other Features:**

- ✚ Complete steel construction, allowing superior sturdiness and heat diffusivity
- ✚ Over load/voltage protection
- ✚ Detachable dust-collecting tank
- ✚ Tank body entirely made with stainless steel
- ✚ 12-pocket star filter bag or “H”-class HEPA
- ✚ Real-time filter clogging detector
- ✚ A full library of D50/D40 floor tools available
- ✚ Outstanding quality/price ratio
- ✚ For variety of pick-up vast amount of dust and debris without interruption
- ✚ Can handle wet and dry solids altogether.

**MODELS AND DATASHEET**

MODELS	<b>313</b>	<b>323</b>	<b>333</b>
Voltage	240V, 50 Hz		
power	3.4kw		
filter cleaning	manual filter shaker	motor-driven filter vibration	jet-pulse filter cleaning
filter type	12-pockets filter, epitropic felt	HEPA, PTFE coated “TORAY” polyester	
filter surface	20,000 CM <sup>2</sup>	35,000 CM <sup>2</sup>	
filter capacity	1.0um, min. 99.0%	0.3um, min. 99.7%	
protection	IP54		
dimensions	62x73x127cm / 24.4x28.7x50 inches		
Weight (kg)	70 kg		

FEATURES DETAIL



Complete steel motor head



Vacuum meter



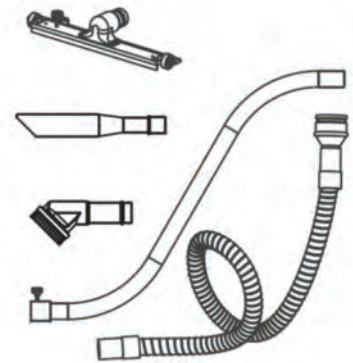
Ametek Lamb motor



Detachable dust-collecting tank



Front-brush, wet-dry 70CM



A full library of floor tools available



12-pocket filter



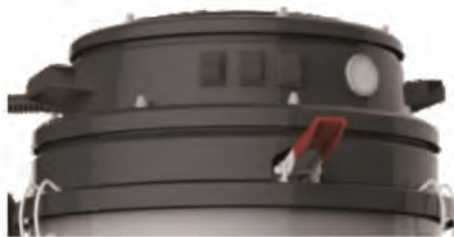
H-class HEPA, PTFE coated "TORAY" polyester



Aluminum die-cast D90 inlet



Manual filter shaker



motor-head with jet-pulse handle.



Full stainless steel body

## 8: 3-phase Industrial Vacuum

8 is a compact and highly mobile 3-phase industrial vacuum. Thanks to its maintenance-free turbine motor and its sturdy construction, A8 earned a reputation for providing 24/7 non-stop operation and a long service life.

8 provides its customer a flexibility of choosing one of the three filter cleanings: manual filter shaker, motor-driven filter vibration, and "jet-pulse" filter cleaning.

Detachable dust-collecting tank provides the possibility of using disposable bags

8 comes with a complete floor tool kit, including a D.50, length 8 meter hose, Aluminum "S" wand, and some other floor tools.

### Other Features:

- ✚ A distribution box built-in all Schneider units, with over load, short-circuit protection
- ✚ Tank body entirely made with stainless steel
- ✚ 12-pocket star filter bag or "H"-class HEPA
- ✚ Real-time filter clogging detector, exhaust silencer, and pressure-relief valve
- ✚ A full library of floor tools available
- ✚ Outstanding quality/price ratio
- ✚ Ideal for pick-up vast amount of dust and debris, can handle wet and dry solids altogether.



## MODELS AND DATASHEET

MODELS	812	813	814	822	823	824	832	833	834
voltage	380-415v, 50/60Hz, 3-phase								
power (kw)	2.2	3.0	4.0	2.2	3.0	4.0	2.2	3.0	4.0
vacuum (mbar)	190	260	290	190	260	290	190	260	290
air-flow (m3/h)	318	318	420	318	318	420	318	318	420
filter cleaning	manual filter shaker			motor-driven filter vibration			jet-pulse filter cleaning		
filter type	12-pockets filter			H-class HEPA					
filter area (cm2)	20,000			35,000					
filter capacity	1.0um, min. 99.0%			0.3um, min. 99.7%					
dust tank (L)	65								
noise level (dbA)	72								
dimensions (mm)	630x1075x1130								
Weight (kg)	120	125	145	120	125	145	120	125	145

8 SERIES

FEATURES DETAIL



12-pockets filter  
PTFE membrane, epitropic felt



H-class HEPA  
PTFE membrane, "Toray" polyester



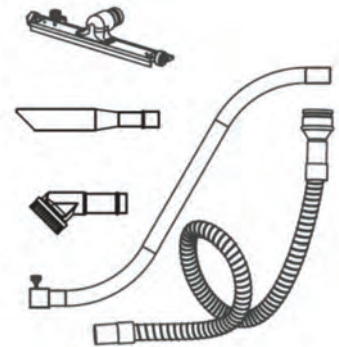
jet-pulse filter cleaning



manual filter shaker



Aluminum die-cast D90 inlet



A full library of floor tools available

## 9: 3-phase Heavy Duty Industrial Vacuum

The follow-up to 8, 9 has a 100L dust-collecting tank vs. 8's 65L, and a complete upgraded construction for housing a more powerful turbine motor. 9 was especially designed for a 24/7 non-stop, heavy-duty operation, and a long service life.



9 provide its customer a flexibility of choosing one of the three filter cleanings: manual filter shaker, motor-driven filter vibration, and "jet-pulse" filter cleaning.

Detachable dust-collecting tank provides the possibility of using disposable bags

9 comes with a complete floor tool kit, including a D.50mm, length 8 meter hose, Aluminum "S" wand, and some other floor tools.

### Other Features:

- ✚ A distribution box built-in all Schneider units, with over load, short-circuit protection
- ✚ Tank body entirely made with stainless steel
- ✚ 12-pocket star filter bag or "H"-class HEPA
- ✚ Real-time filter clogging detector, exhaust silencer, and pressure-relief valve
- ✚ A full library of floor tools available
- ✚ Ideal for pick-up vast amount of dust and debris without interruption, can handle wet and dry solids altogether.

## MODELS AND DATASHEET

MODELS	914	915	917	924	925	927	934	935	937
voltage	380-415v, 50/60Hz, 3-phase								
power (kw)	4.0	5.5	7.5	4.0	5.5	7.5	4.0	5.5	7.5
vacuum (mbar)	290	300	320	190	260	290	190	260	290
air-flow (m3/h)	420	530	530	420	530	530	420	530	530
filter cleaning	manual filter shaker			motor-driven filter vibration			jet-pulse filter cleaning		
filter type	12-pockets filter			H-class HEPA					
filter capacity	1.0um, min. 99.0%			0.3um, min. 99.7%					
dust tank (L)	100								
noise level (dbA)	74								
dimensions (mm)	630x1135x1480								
Weight (kg)	153	176	180	153	176	180	153	176	180

FEATURES DETAIL



12-pockets filter  
PTFE membrane, epitropic felt



H-class HEPA  
PTFE membrane, "Toray" polyester



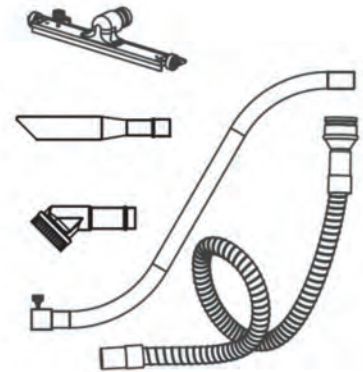
jet-pulse filter cleaning



manual filter shaker



Aluminum die-cast D90 inlet



A full library of floor tools available



## TOOLS AND ACCESSORIES

P/N	DESCRIPTIONS	PICTURE	UNIT
AB00097	D70/75 Adaptor		pc
AB00020	D70/50 Adaptor		
AC00067	D70/38 Adaptor (Also D70/D32 indent only)		
AB00103	D70/D50 (D70/D32 indent) Dispensers 2 outlets		pc
AB00100	D70/D50 Dispenser (3 Outlets)		
BH00057	D50 Hose Cuff		pc
BH00058	D50 Hose Cuff, Anti-statics		
AB00018	D50 S Wand w/ Brush Coupling, Aluminum		pc
AB00031	D50 S Wand w/ Brush Coupling, Stainless Steel		
AB00014	D50x430 Floor Brush		pc
AB00015	D50x550 Floor Brush		
AB00016	D50x430 Squeegee		
AB00017	D50x550 Squeegee		
AB00098	D50x430 Floor Brush Stainless Steel		
AB00023	D50x500 Crevice Tool Aluminum		pc
AB00025	D50x1000 Crevice Tool Aluminum		
BH00039	D50 EVA Hose		meter
BH00059	D50 EVA Hose, Anti-static		
BH00063	D50 PU Hose with HPVC Spiral		meter
BH00064	D76 PU Hose with HPVC Spiral		
BM00223	G2 Filter		pc
BM00224	G3 Filter		
BM00241	Drop-Down Continuous Bag		4pc box

## F2: 3-phase Compact Station Industrial Vacuum

F2 was specifically designed for capturing continuous processing waste from any kind of machinery: from packaging, pharmacy, fine machinery, to food industry. Thanks to its compact construction and a maintenance free turbine motor, F2 is suitable for 24/7 continuous operation with no interruption.



F2 is highly modular and a most compact industrial vacuum. It is suitable for integration on OEM machines, or support machinery on production lines.

F2 is equipped with a HEPA filter. A HEPA is not only efficient for a fast recovery of dust, debris and other waste found on jobsite, it traps the most dangerous fine dust particles and prevents them from being released in the air.

A jet-pulse filter cleaning is a standard for F2. Jet-pulse is an efficient and safe filter cleaning without exposing operator to dust.

### Other Features:

- ✚ Tank body entirely made with stainless steel
- ✚ Real-time filter clogging detector and exhaust silencer
- ✚ A full library of floor tools available

## MODELS AND DATASHEET

MODELS	F232	F233
voltage	380-415v, 50/60Hz, 3-phase	
power (kw)	2.2	3.0
vacuum (mbar)	190	260
air-flow (m3/h)	318	318
filter type	H-class HEPA	
filter capacity	0.3um, min. 99.7%	
dimensions (mm)	415x770x720	
Weight (kg)	50	60



jet-pulse filter



H-class HEPA



vacuum meter

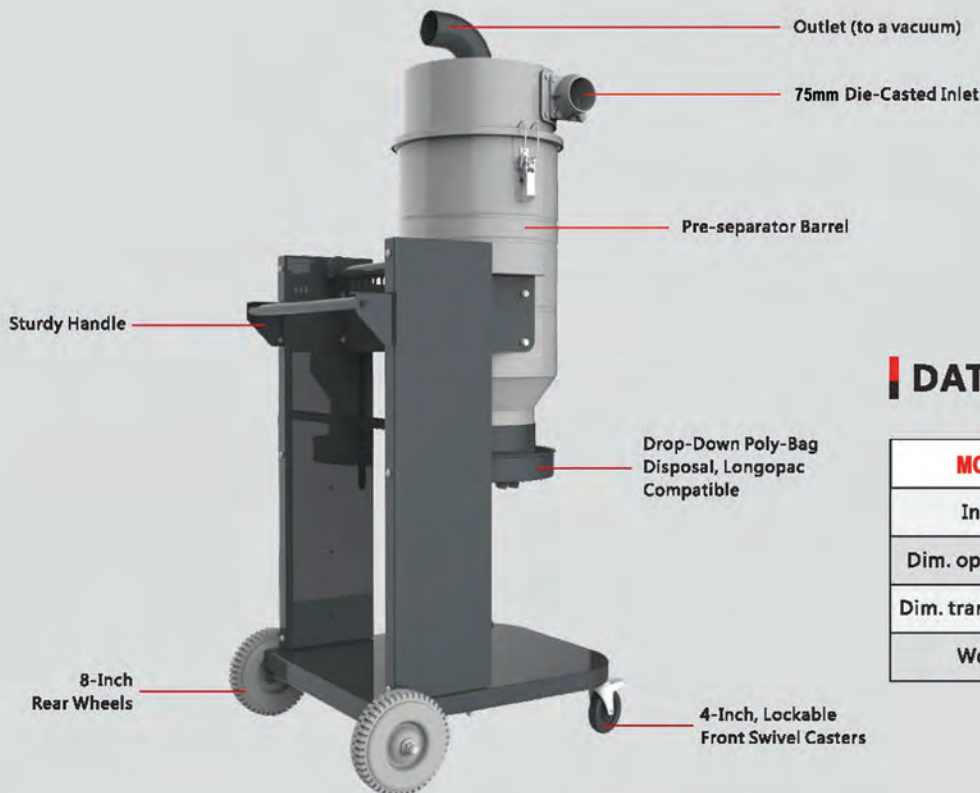


3-phase turbine motor

## STAND ALONE PRE-SEPARATOR

When a coarse or voluminous dust to be handled, it is advisable to use a pre-separator. Built according to a cyclone principle, a pre-separator can effectively separate more than 90% of dust and leave very little fine dust into a vacuum for filtering. It works with a great reliability and virtually zero-cost maintenances.

The stand-alone pre-separator can easily connected with any vacuums, with our full library of connectors and adaptors. When works in conjunction with a vacuums, it greatly reduces a workload for a vacuum filtering, and thus improving its efficiency. Features a "height adjustment" mechanism, the machine can be easily adjusted to a height 1.2 meter during transportation.



### DATASHEET

<b>MODEL NO:</b>	<b>OXO</b>
Inlet (mm)	75
Dim. operate (LxWxH)	70*75*160 CM
Dim. transport (LxWxH)	70*75*125 CM
Weight(Kg)	60

## MODEL 020 SEPARATOR



### Specifications:

1. Dimensions(LxWxH): 435x435x880
2. Plastic wall thickness: 6mm
3. Net weight: 6-8Kgs
4. With replacement plastic bag
5. Size of dust tank: 60L

### Standard packing includes:

1. D50 hose x 1.5m, with two hose-cuffs at both ends.  
One hose-cuff fits to separator outlet, another end fits to customer's vacuum
2. Sample plastic bag x 1
3. Instruction sheet x 1
4. Option: D38 hose x 1.5m, with hose-cuffs and fittings available

## MODEL 021

SEPARATOR WITH  
AUTO CONTINUOUS AUTO BAG SYSTEM



### Specifications:

1. Dimensions(LxWxH): 590x600x1550, (refer to the drawing for the dimensions detail)
2. Net weight: 15-20Kgs
3. Size of dust tank: 60L (add 5L for bagging system frame)
4. Plastic wall thickness: 6mm

### Standard packing includes:

1. D50 hose x 1.5m, with two hose-cuffs at both ends.  
One hose-cuff fits to separator outlet, another end fits to customer's vacuum
2. Sample Longopac x 1
3. Instruction sheet x 1
4. Option: D38 hose x 1.5m, with hose-cuffs and fittings



### TOOLS & ACCESSORIES OPTIONAL

The both models work well with D50 floor cleaning kit (see the above photo) or D38 floor tools.

**Go to: [www.westvac.co.nz/separators](http://www.westvac.co.nz/separators)**






### TOOLS AND ACCESSORIES / 1

P/N	PART NAME AND DESCRIPTIONS	PICTURE	M/C APPLICABLE	UNIT
AB00093	<b>D50 Tool Kit</b>		S3/A8/A9	set
	BH00057 D50 Hose Cuff 2 pc			
	BH00046 D50 Hose 3M 1 pc			
	AB00018 D50 S Wand Aluminum 1 pc			
	AB00014 D50x430 Floor Brush 1 pc			
	AB00023 D50x500 Crevice Tool 1 pc			
	AB00028 D50 Round Brush 1 pc			
AB00026 D50 Connector 1 pc				
AC00093	<b>D40 Tool Kit</b>		S3/A8/A9/F2	set
	AC00068 D90/38 Adaptor 1 pc			
	BH00021 D38 Hose Cuff 2 pc			
	BH00046 D38 Hose 3M 1 pc			
	AC00048 D38 S Wand -2 pc 1 set			
	AC00063 D38x400 Squeegee 1 pc			
AC00064 D38x400 Floor Brush 1 pc				
AB00095	D90/75 Adaptor		S3/A8/A9	pc
AB00030	D90/50 Adaptor			
AC00068	D90/38 Adaptor			
AB00097	D70/75 Adaptor		G0/G2/G3 G4/G5/G6/G7	
AB00020	D70/50 Adaptor			
AC00067	D70/38 Adaptor			
AB00102	D90/D50 Dispenser (2 Outlets)		S3/A8/A9	pc
AB00099	D90/D50 Dispenser (3 Outlets)			
AB00103	D70/D50 Dispenser (2 Outlets)		G0/G2/G3 G4/G5/G6/G7	
AB00100	D70/D50 Dispenser (3 Outlets)			
BH00057	D50 Hose Cuff			pc
BH00058	D50 Hose Cuff, Anti-statics			
AB00018	D50 S Wand w/ Brush Coupling, Aluminum			pc
AB00031	D50 S Wand w/ Brush Coupling, Stainless Steel			
AB00014	D50x430 Floor Brush		S3/A8/A9 G0/G2/G3 G4/G5/G6/G7	pc
AB00015	D50x550 Floor Brush			
AB00016	D50x430 Squeegee			
AB00017	D50x550 Squeegee			
AB00098	D50x430 Floor Brush Stainless Steel			

## TOOLS AND ACCESSORIES / 2

P/N	PART NAME AND DESCRIPTIONS	PICTURE	M/C APPLICABLE	UNIT
AB00023	D50x500 Crevice Tool Aluminum		S3/A8/A9 G0/G2/G3 G4/G5/G6/G7	pc
AB00025	D50x1000 Crevice Tool Aluminum			
AC00051	D38x500 Crevice Tool Aluminum		S3/A8/A9/F2	
BH00046	D38 EVA Hose		S3/A8/A9/F2	meter
BH00039	D50 EVA Hose		S3/A8/A9 G0/G2/G3 G4/G5/G6/G7	
BH00059	D50 EVA Hose, Anti-static			
BH00051	D38 PU Hose with Steel Spiral		S3/A8/A9/F2	meter
BH00051	D50 PU Hose with Steel Spiral		F2	
BH00036	D76 PU Hose with Steel Spiral		A8/A9	
BH00063	D50 PU Hose with HPVC Spiral		G0/G2/G3 G4/G5/G6/G7	meter
BH00064	D76 PU Hose with HPVC Spiral			
AB00028	D50 Round Brush		S3/A8/A9	pc
AB00101	D50 Plastic Crevice Brush			
AB00026	D50 Connector			
AC00063	D38x400 Squeegee		S3/A8/A9/F2	set
AC00064	D38x400 Brush			
AC00048	D38 S Wand 2-pc			
AC000034 AC000035	D38 L Wand 2-pc			
AC00098	D38x360 Brush w/ Wheel			
AC00099	D38x360 Squeegee w/ Wheel			
AC00031	D38 Elbow, Stainless Steel			
AC00065	D38 Round Brush			
BH00021	D38 Hose Cuff			

### TOOLS AND ACCESSORIES / 3

P/N	PART NAME AND DESCRIPTIONS	PICTURE	M/C APPLICABLE	UNIT
AB00013	Front Brush W/D, working width 700		3	set
BM00129	12-packet filter bag		31/ 31/ 91	pc
BM00203	F2 Filter		F2	pc
BM00223	G2 Filter		2/ 5/	
BM00224	G3 Filter		3/ 4/ 5/ 6/	
BM00247	S3 Conical Filter		33/ 33/ 93	
BM00130	S3 Filter		32/ 82/ 92	
BD00084	Dust Collector 65L		3/ 8	set
BD00253	Dust Collector 100L		9	set
BM00241	Continuous Bag		0/ 2/ 3 4/ 5/ 6/ 7	4pc box





**WESTVAC**

**P.O. Box 28343 REMUERA, AUCKLAND, NEW ZEALAND.1541**

**0064 9 5201115 / MOB: 0064 21 723999**

**PARENT:**

**E: [sales@westvac.nz](mailto:sales@westvac.nz)**

**VACUUM BRANDS LIMITED**

**NZ WEB: [www.westvac.nz](http://www.westvac.nz)**

**[www.vacuum.co.nz](http://www.vacuum.co.nz)**

**AU WEB: [www.westvac.com.au](http://www.westvac.com.au)**